

# The FLATMASTER Range



## FOR PROPERTIES WITHOUT LOFT SPACE

Low cost ventilation for properties with no loft space.

The unit is designed to take fresh air from outside, filter it and discharge the clean air into the central hallway via a ducting system.

### FLATMASTER

The dwelling's internal air discharge grille is usually installed at a high level in a central location within the hallway, although discharging the air down the length of the hallway (away from the front door) should also prove acceptable. Unit performance may be enhanced if an existing heat source can warm the discharged air e.g. by locating the discharge grille above a radiator.

### FLAT2000L/FLAT2000R

The unit is designed to take fresh air from outside, filter it and discharge the clean air into the central hallway via a ducting system. The dwelling's internal discharge grille is usually installed at a high level in

a central hallway, although discharging the air down the length of the hallway (away from the front door), should also prove acceptable.

### Additional heat when required

The FLAT2000L and FLAT2000R units come with an integral heater which tempers the air brought in from outside the property, after it has been filtered. This is an automatic function based on a set point which is triggered by the outside temperature.



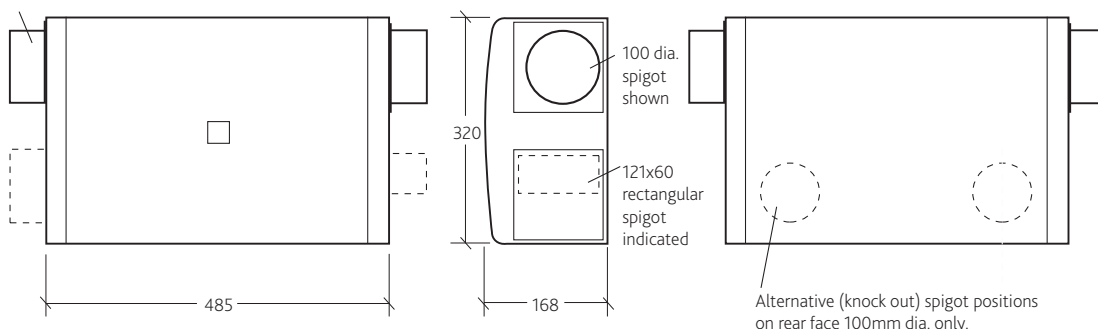
## Technical

### DIMENSIONS (mm) & UNIT WEIGHT

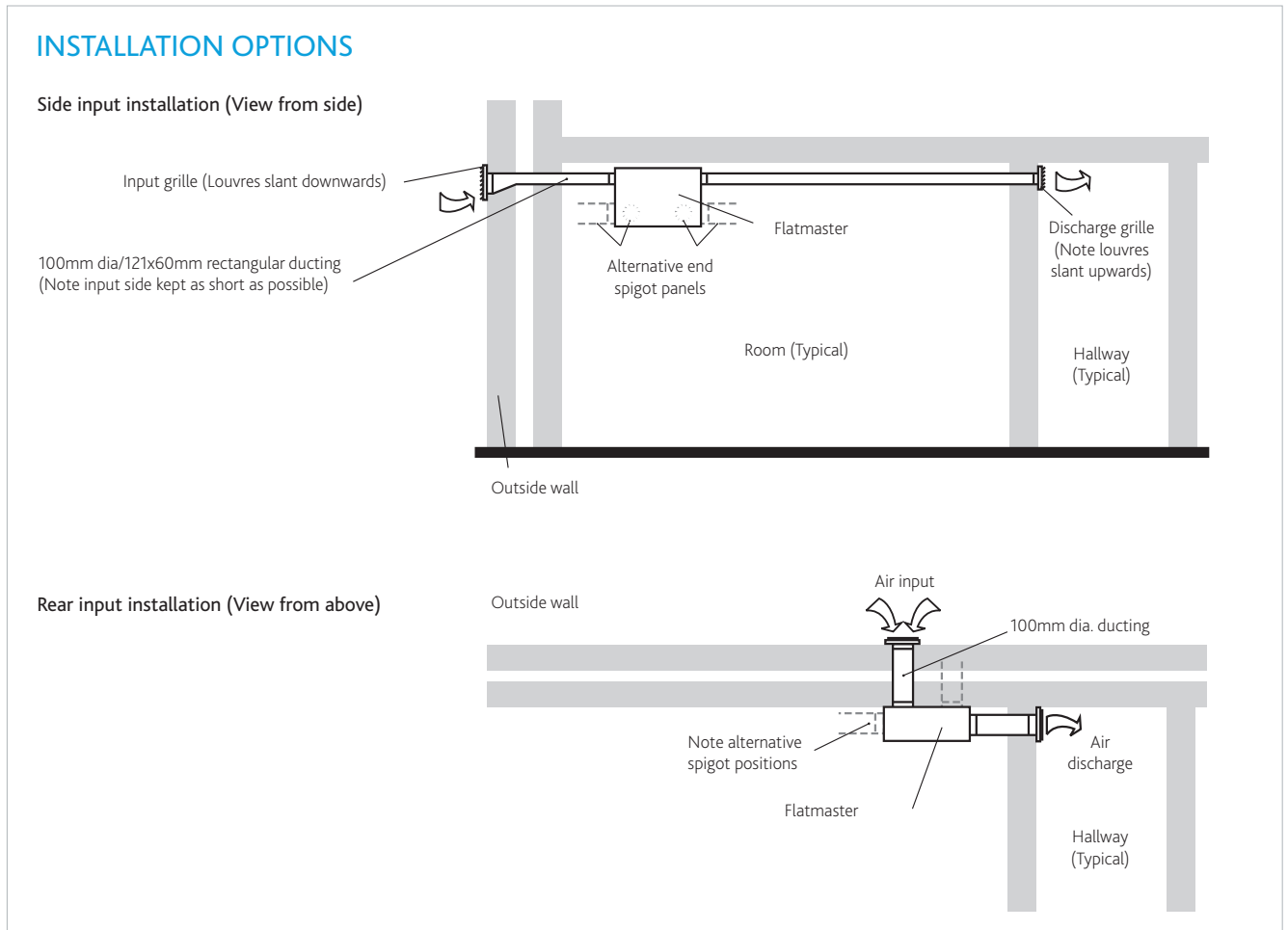
WEIGHT: Flatmaster: 4.7kg FLAT2000L/FLAT2000R 2000: 5.2kg

100mm dia. or 121x60mm interchangeable spigots supplied with unit

Alternative end spigot panels



## Typical Installation



(If the heater option is required, the wiring should be connected to the appropriate terminal on the PCB).

## Electrical Details

	Voltage	Consumption
FLATMASTER	230V 1ph 50Hz	Speed 1 3.1W(max)
		Speed 2 5.7W(max)
		Speed 3 9.4W(max)
FLAT2000L/FLAT2000R	230V 1ph 50Hz	Heater 300W(max)

## Wiring

Please note the electrical connections to the unit should be carried out by a qualified electrician.

The unit should be wired in accordance with current IEE regulations.

A remote boost switch comes as standard with the FLAT2000L and FLAT2000R models. This must be wired directly in to the unit and can be used to control the fan with the choice of "Normal" or "Boost" functionality.

# Consultants Specification

## FLATMASTER

The unit casing shall be manufactured from flame retardant V0 rated ABS polymer and thermally insulated pre-coated mild steel. A washable flame retardant filter of G3 grade (with 1-2 year typical maintenance period) shall be fitted, which may be accessed via the easily removable front cover.

The unit shall incorporate an injection moulded radial bladed centrifugal impeller. The impeller shall be driven by a high efficiency, reversible brushless DC motor fitted with steel, self-lubricating bearings and locked rotor protection.

The unit shall have a maximum power consumption of 0.4w/l/s. The unit shall be highly adaptable for ease of installation, allowing circular or rectangular duct connections and air entry from side or rear of the case at high or low level.

A selection of spigots enabling connection to 100mm circular or 121x60mm rectangular distribution ductwork, without the use of transformation sections, shall be provided. Ducting and grilles shall be supplied separately.

The unit shall be offered with a 5 year warranty; 1 year parts and labour, remaining years parts only. This warranty is void if the equipment is modified without authorisation, is incorrectly applied, misused, disassembled or not installed, commissioned and maintained in accordance with the details contained in the I&M manual and general good practice.

## FLAT2000L/FLAT2000R

See FLATMASTER specification.

The unit shall have a maximum power consumption of 1.1w/l/s; excluding power consumed by integral heating element.

The unit shall be offered with a 5 year warranty; 1 year parts and labour, remaining years parts only. This warranty is void if the equipment is modified without authorisation, is incorrectly applied, misused, disassembled or not installed, commissioned and maintained in accordance with the details contained in the I&M manual and general good practice.

## FLATMASTER PIV Product Selector

Page No.	18	18
Feature	FLATMASTER	FLAT2000L/FLAT2000R
For properties without lofts		
Integral heater		
Manual boost switch provided – when additional ventilation is required, i.e. cooking odours		
Controls/commissioning at unit		
5 year warranty		

