

System Sump and Pump

NEWTON TITAN-PRO WHITE

Pumping System for Newton System 500

Rev 5.2 - 18 July 2017

PRODUCT CODE - TPW

INTRODUCTION

The [Newton Titan-Pro White](#) Packaged Sump System is designed specifically to be used with [Newton System 500](#), our Type C, internally applied, cavity drain waterproofing system.

The adjustable neck allows for the sump to be installed at a fixed height relative to the slab so that the connection in from the Newton drainage system and the pump discharge line are made above the concrete and always at the same height relative to the slab or raft.

The sump can be used with single and twin pumps and twin pumps with twin discharge lines for greater pump efficiency.

The unique sump shape together with a choice of inlet and outlet positions allow for connections in and out of the chamber to be made to either a side wall or to a corner.

BENEFITS

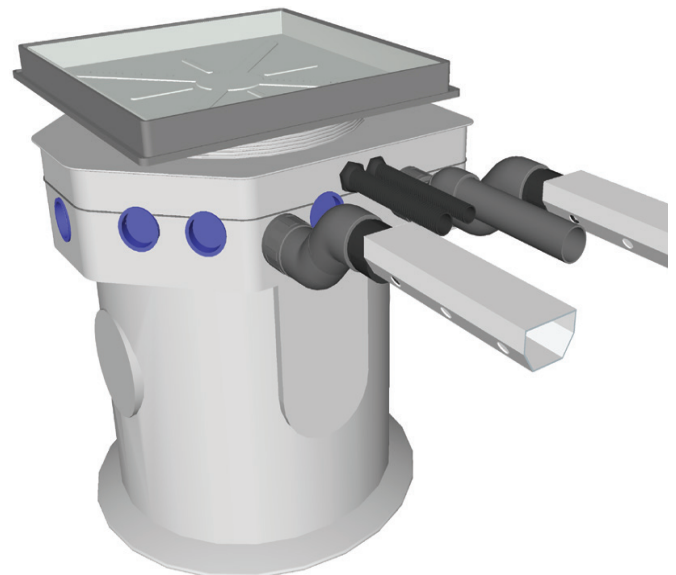
- Compatible with a large number of Newton NP and CP clean water pumps (see page 2)
- Fully built system includes all internal pipe and pipe fittings ready for 50 mm or 63 mm rising main
- One-way valve for each pump included
- Two quick release couplings per pump for easy installation and removal for servicing
- Adjustable neck ensures that the lid is always at the correct height regardless of floor finishes
- Newton [PA50 High Water Level Alarm](#) included with pump and pipe kits (TP3 - TP47)
- Supplied with sealed and locked recessed lid. High end finish lids and frames are available as cost options (see page 3)
- Flat areas to side of chamber ready for wall flanges to receive incoming 110 mm drainage pipes. Wall flanges are available as cost options (see page 3)
- Large foot to base of chamber to prevent flotation
- Anti-Drip system available for the inside of the chamber
- Anti-Smell system available for when the sump is receiving water from washing machines, sinks or dishwashers
- Wet-Install kit available that includes pressure release valves and tremie pipe for installations where water is entering the excavation

TYPICAL APPLICATIONS

The Titan-Pro White is specifically designed to be used with Newton System 500, our 'Type C' cavity drain waterproofing system.

LIMITATIONS

Not recommended for sewage. Please use [Newton Trojan](#) sewage lifting systems.



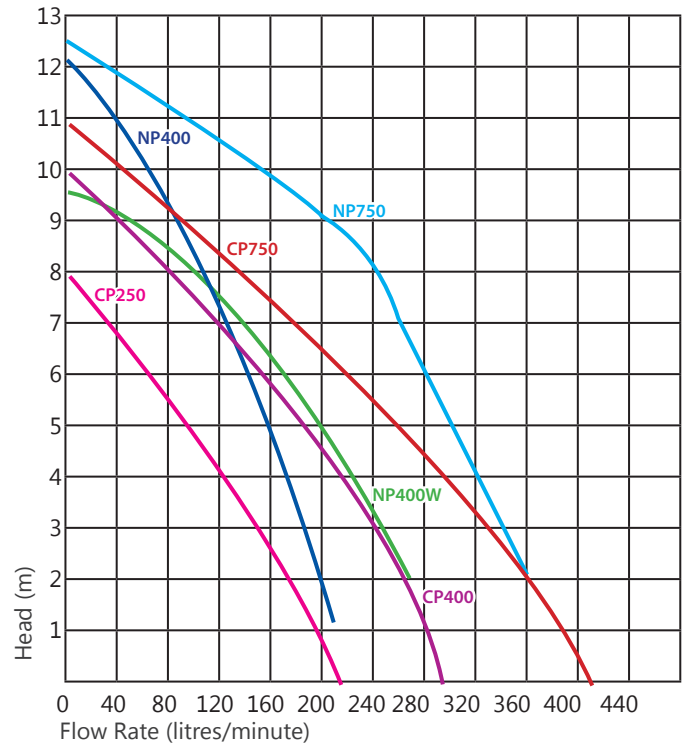
ANCILLARIES

- Power failure protection for [CP250](#) pumps: [Newton Victron Inverter 12/800/35](#) - Newton Code BB1
- Power failure protection for [CP400](#), [NP400](#) & [NP400W](#) pumps: [Newton Victron Inverter 12/1200/50](#) - Newton Code BB2
- Power failure protection for [CP750](#), [NP750](#) & [SP750 Cutter](#) pumps: [Newton Victron Inverter 12/3000/120](#) - Newton Code BB3
- Newton Text and Speech [Dialer](#) that can send either text or voice messages to up-to five designated phones should an alarm condition occur - Newton Code PA5
- Advanced pump control with the [Newton Control Panel-Pro](#) that features a weekly diagnosis of the pumps - Newton Code CP2
- Newton [Pump Controller](#) - Simple pump panel that also features a weekly diagnosis of the pumps - Newton Code CP9

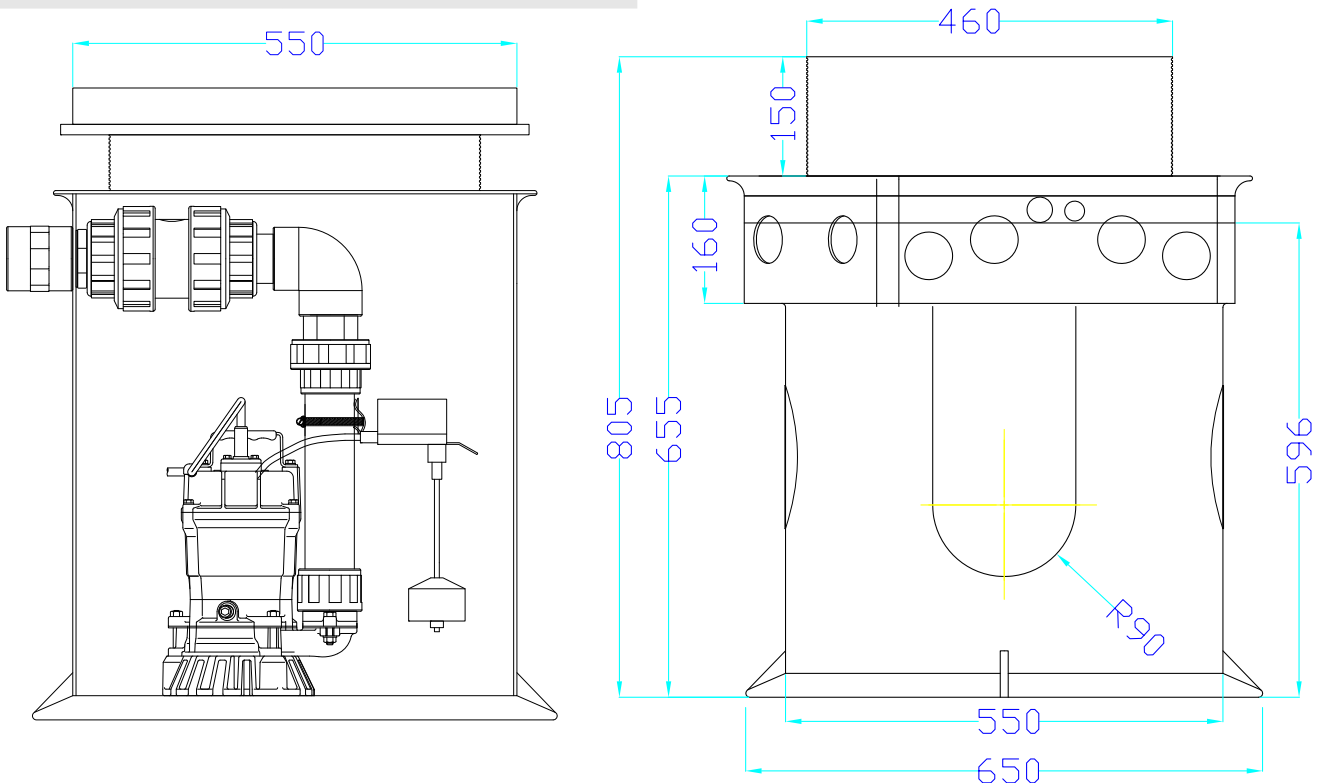
NEWTON TITAN-PRO WHITE

Pumping System for Newton System 500

Pump Name	Number of Pumps	Discharge Lines	Product Code
CP250 Auto P31	One	One	TPW-TP40
	Two	One	TPW-TP41
	Two	Two	TPW-TP33
CP400 Auto P32	One	One	TPW-TP42
	Two	One	TPW-TP43
	Two	Two	TPW-TP44
NP400 Auto P2	One	One	TPW-TP3
	Two	One	TPW-TP4
	Two	Two	TPW-TP5
NP400 Manual P3	Two	One	TPW-TP10
	Two	Two	TPW-TP11
NP400W Auto P4	One	One	TPW-TP14
	Two	One	TPW-TP15
	Two	Two	TPW-TP16
CP750 Auto P33	One	One	TPW-TP45
	Two	One	TPW-TP46
	Two	Two	TPW-TP47
NP750 Auto P5	One	One	TPW-TP6
	Two	Two	TPW-TP7
	Two	Two	TPW-TP8



The automatic pumps, except for the NP400W, are supplied with Vertical Float Switches that allow for very flexible pump switching, allowing for adjustment of the ON & OFF positions of each pump, as well as the overall height of the pump switching. The NP400W has an adjustable float system that is unaffected by effluent and washing machine waste. Please see pump data sheets for further information.

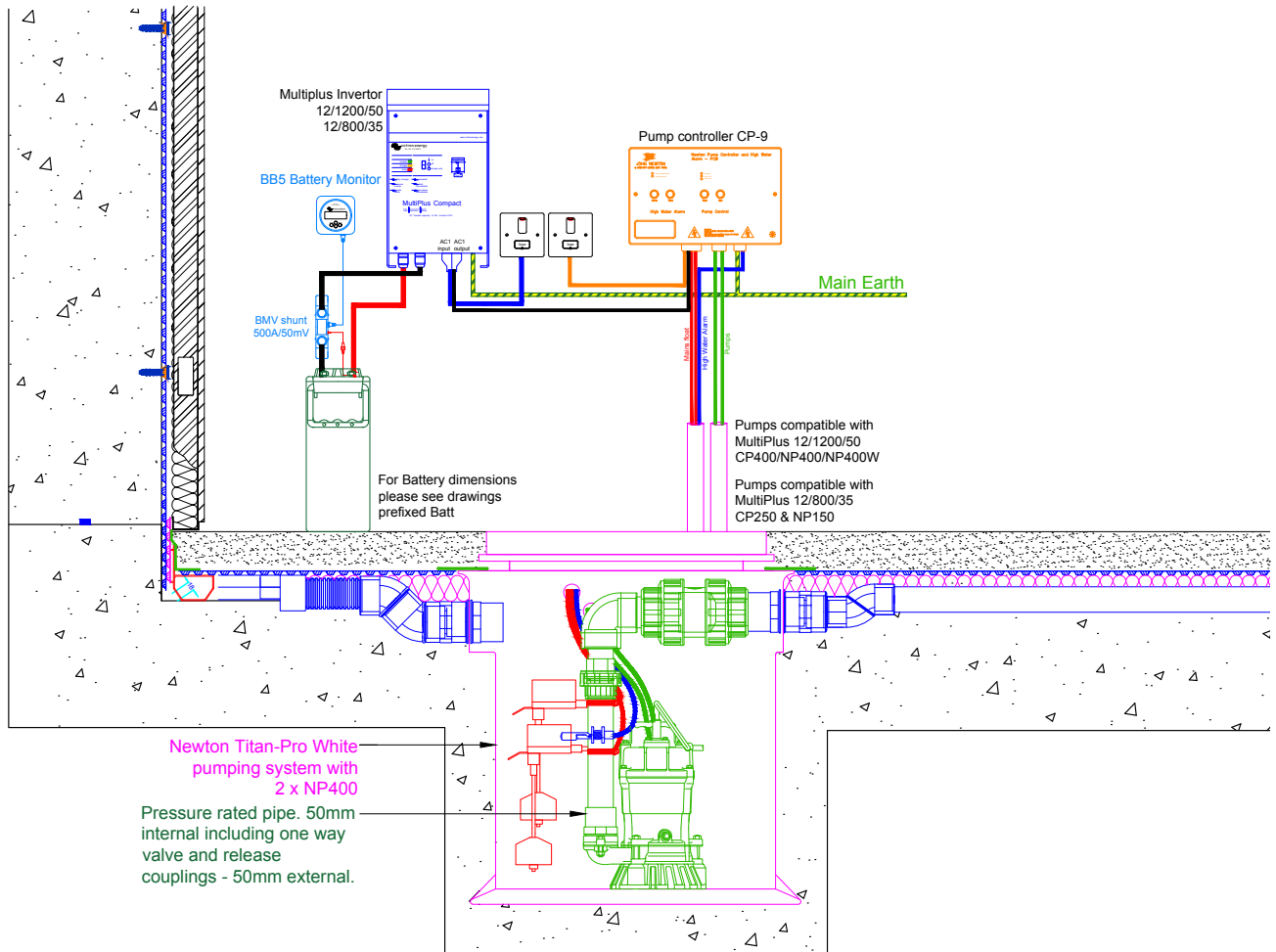


NEWTON TITAN-PRO WHITE

Pumping System for Newton System 500

TYPICAL DETAIL

The detail below shows the Titan-Pro White within a typical Newton System 500 cavity drain membrane waterproofing system. Also shown are the Newton Victron Power Inverter which ensures continual pumping during a power outage and the Newton CP2 Control Panel Pro control panel providing advanced telemetry and sequential pumping as well as weekly diagnosis of the pumps.



SPECIFICATION

Newton Waterproofing Systems are in partnership with RIBA NBS who publish details of our products and systems within their specification clause library to allow Architects ease of specification through their NBS Plus interface. NBS clauses can be accessed via the technical resources area of the web site where a live NBS Feed is available at [NBS Plus Live Feed](#)

Our website has drawings available for download in [Technical Drawings](#). A selection are also available via [FastrackCAD](#), as well as a range of BIM objects on the [NBS National BIM Library](#)

PRODUCT LIFE EXPECTANCY

The Titan-Pro White chamber is made from robust HDPE and should provide, under normal service conditions, a chamber for the life of the building.

Please see the relevant data sheets for confirmation of the guarantees for the pumps and ancillaries used within the pumping system.

INSTALLATION INSTRUCTIONS

Please refer to the Titan-Pro White Installations Instructions which are supplied in paper form with the product, or available from our web site.

TRAINING AND COMPETENCY OF THE USER

Newton System 500 is BBA agrément certified, professional fit waterproofing system. A requirement of the agrément certificate is that the system is installed by a Newton NSBC contractor.

Newton NSBC contractors are trained by Newton Waterproofing Systems in the correct specification and installation of Newton waterproofing products and will provide the client with a meaningful insurance backed guarantee for the waterproofing system.

Newton NSBC contractors are able to fulfil the role of Waterproofing Design specialist as defined by BS 8102:2009 and will ensure that a coordinated waterproofing strategy is employed for all aspects of the waterproofing scheme.

NEWTON TITAN-PRO WHITE

Pumping System for Newton System 500

OPTIONS

The Titan-Pro White is designed to be used with the Newton System 500 waterproofing system and receives water from the drainage system of System 500. You will need [Newton Basedrain](#) (Product Code D1) and [Newton Floordrain](#) (Product Code D3) to connect this sump pump system to the Newton System 500 waterproofing system. **Please note: If 63mm pipe is to be used for the discharge line(s) this must be confirmed at order as the standard build is supplied with 50mm connections for 50mm pipe only.**

A number of ancillaries are available for use with the Titan-Pro White:

ITEM	Product Code
<i>uPVC Pressure Rated Discharge Pipe</i>	
50mm Pipe - 2.5m lengths	PP1
50mm 90 degree elbows	PP2
50mm 45 degree elbows	PP3
50mm female-female sockets	PP4
50mm Tee	PP5
50mm wall mount clips	PP6
1½" BSP to 50 mm Hosetail	PP28
1½" BSP to 50 mm Socket	PP43
63mm Pipe - 2.5m lengths	PP10
63mm 90 degree elbows	PP11
63mm 45 degree elbows	PP12
63mm female-female sockets	PP13
63mm Tee	PP14
63mm wall mount clips	PP15
uPVC Solvent-on Wet 'R Dry - 240ml	G2
uPVC Pipe Primer - 473ml	G3
<i>Alternative Frame and Lid</i>	
Polypropylene Frame - Galvanised Steel 80mm recess block paviour lid for external use	TPSL1
Polypropylene Frame - Polypropylene Flat Patterned Lid for external use	TPSL2
Galvanised Frame - Galvanised Steel 600x600x45mm lid for higher quality internal use	TPSL3
Galvanised Frame - Galvanised Steel 600x600x45mm lid with brass edging for very high quality internal use	TPSL4
Galvanised Frame - Galvanised Steel 600x600x45mm lid with stainless edging for very high quality internal use	TPSL5
<i>General Options</i>	
Anti-Drip Kit - extends the two drainage inlets to the bottom of the sump to prevent dripping noises - NOTE: Not suitable for corner installation	TPK1
Anti-Smell Kit - Includes two Newton Fountain Valves to prevent gasses from the sump getting back to the waterproofing system and a vent pipe to prevent a vacuum forming in the sump. - NOTE: Not suitable for corner installation	TPK7
Wet Install Kit - Includes three shut off valves	TPK6
Wall flange for 63mm inlet	TP01
Wall flange for 110mm inlet	TP02
Hole Cutter for 110mm wall flange	PA34
Arbor for hole cutter	PA33

Newton Waterproofing Systems reserve the right to update product literature at any time. Please always refer to our [website](#) for the latest versions.